



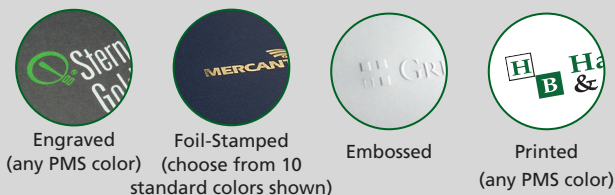
STOCK PRESENTATION FOLDERS

ASLEGAL.COM FOLDERS

Folder Features

- 9" W x 12" H size holds up to 50 sheets of letter size 24 lb. paper
- Substantial 100 lb. cover stock with linen texture

All folders available blank, engraved, blind embossed, foil stamped and printed.



Presentation Folders – 9" W x 12" H, 100/Box

Stock #	Color
07601	White
07602	Ivory
07604	Blue
07605	Burgundy
07606	Black

Folder Imprint Area



Standard position 3½" from top, centered on front

Alternate positions: at least ¼" from top or side edges

Notes:

1. Imprint cannot cross over the area 4" from the bottom due to inside pocket.
2. The maximum imprint copy area is 2" x 7" when imprinted on the bottom 4" of the folder. The maximum imprint copy area is 5" x 7" in other locations.

Standard Foil Colors

- High Gloss Gold
- High Gloss Silver
- High Gloss Copper
- White
- Black
- Gold Taffeta
- Silver Taffeta
- Copper Taffeta
- Red
- Blue

Engraving and Printing Colors

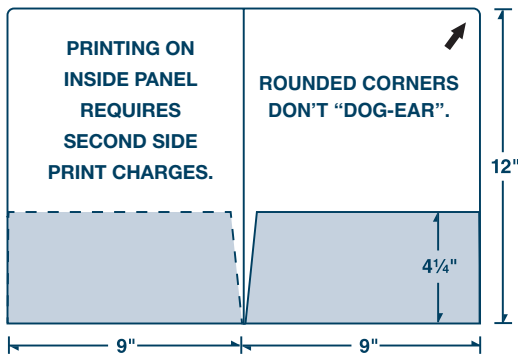
- ANY PMS Color

Note: when personalizing dark stocks, use lighter PMS colors for the best outcome

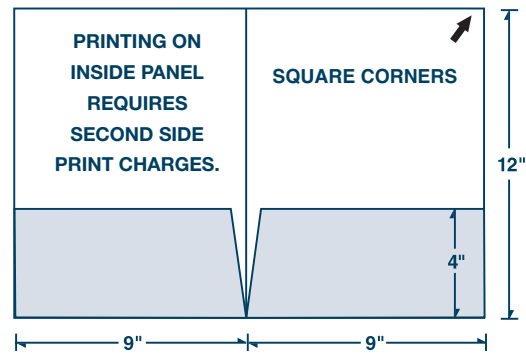


Custom Presentation Folders

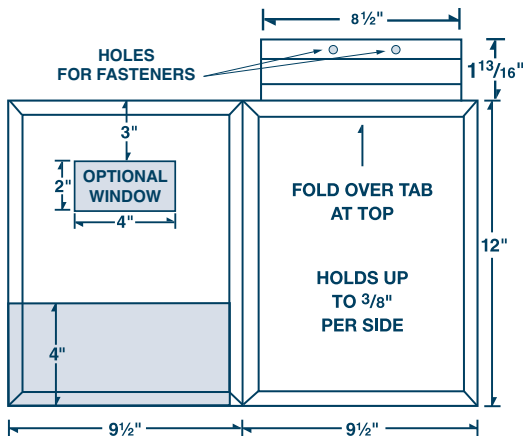
This guide was created to help you consider the many options available to create a presentation folder that best suits your firm's needs and brand. You can use these standard constructions as your base or you can create something from scratch. If you can dream it, we can create it.



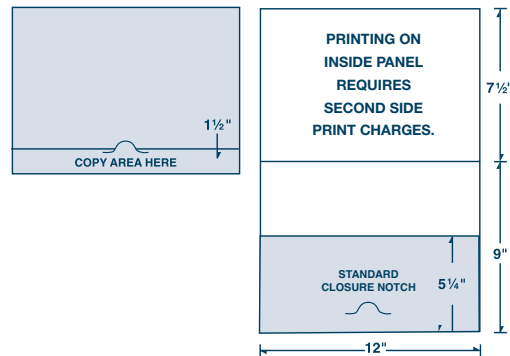
08-01 – Round corners / Two pockets
08-04 – One right pocket only



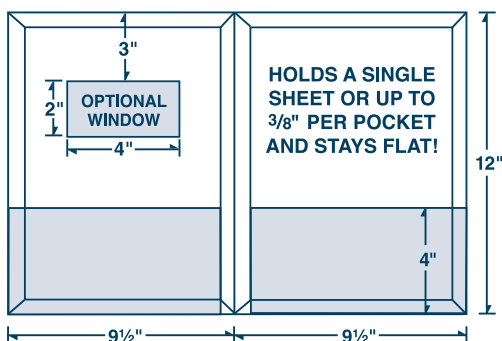
08-29 – Square corners / Two pockets
08-28 – One right pocket only



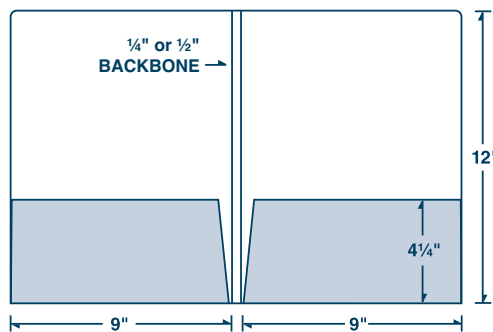
08-36 – Conformer® Expansion folder with fold down flap.
 Window and holes for fasteners are optional



08-52 – Tuck tab / Can be used in horizontal or vertical format



08-65* – Conformer® Expansion folder stays flat for a professional presentation *window is optional

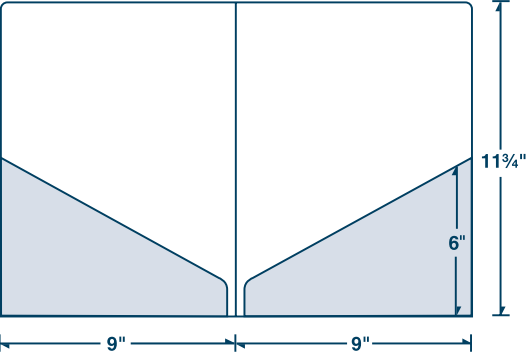


08-02 – 1/2" backbone allows for more capacity at spine
08-11 – 1/4" backbone

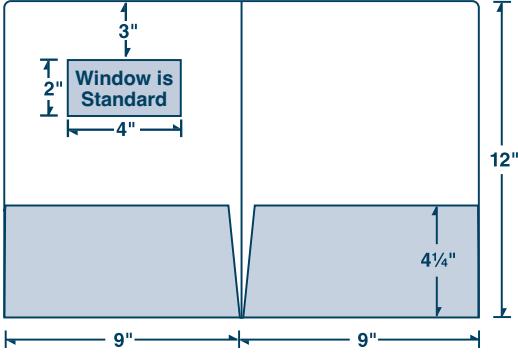
Additional Options to Consider:

- Legal size folders
- Reinforced edges to protect wear and tear on folder
- Spine attachments to store 3 hole punched documents
- Business card slits – corner or notch (see below)

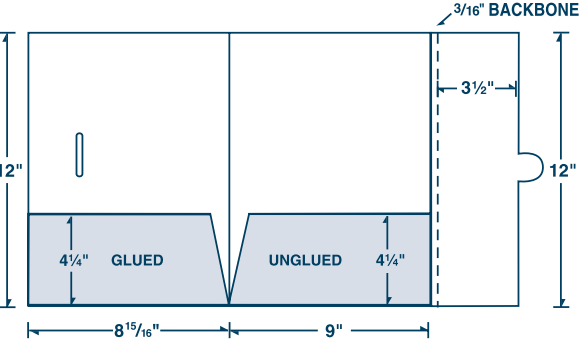
- Brochure slits ensure your smaller brochures stay in place
- Custom die cutting allows you to create a unique look
- Production options include PMS printing (single or multiple colors), foil-stamping, engraving, embossing, four-color process printing and several coating options



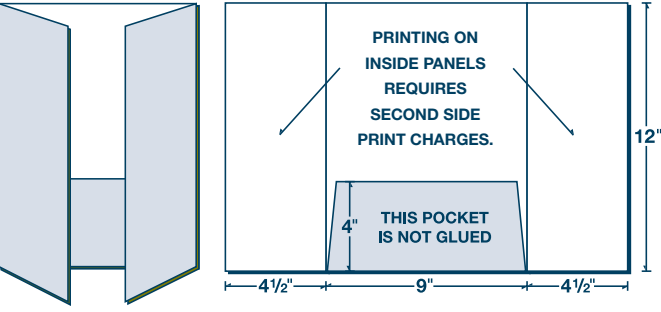
08-61 – Diagonal pockets



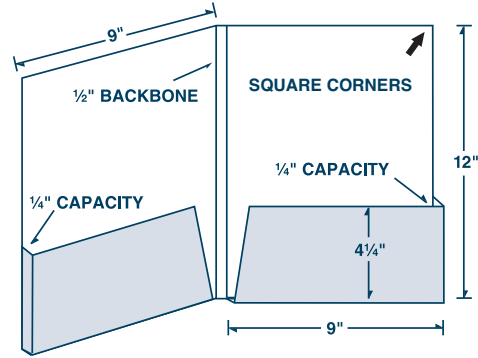
08-09 – Window



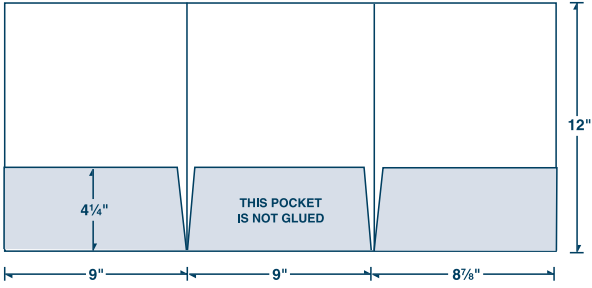
08-55 – Wrap-Around tuck tab / Also available with Velcro closure



08-07 – Gatefold

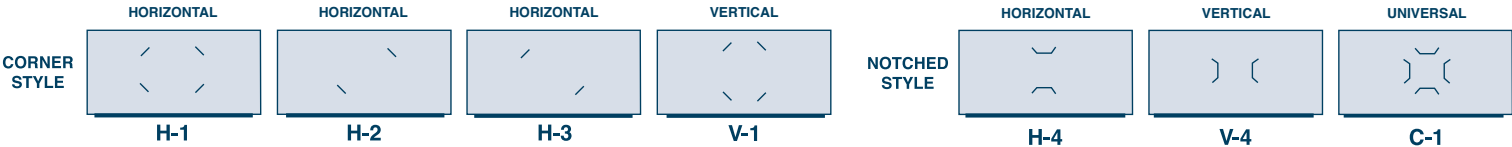


08-13 – Two 1/4" capacity box pockets
08-53 – Regular left pocket, 1/4" capacity right box pocket



38-01 – Three panels, three pockets
38-04 – One right pocket only
38-03 – Unglued center pocket only
38-06 – Right and center pocket only
38-05 – Right and left pocket only, no center pocket

Business Card Slit Options:



Stock Color Chart For Folders

Letter codes represent price groups. All stocks are cover weight.

	Contains 10-100% post-consumer recycled fiber
	FSC® mill certified paper from responsibly managed forests
	Contains 15% hemp fiber

Base Stocks

Semi-Gloss 12 PT C1S	Semi-Gloss 14 PT C1S	Smooth White 80 lb.	Marble Crush White 12 PT C1S

Semi-Gloss

12 PT C2S	14 PT C2S	16 PT C1S	16 PT C2S	18 PT C1S

Gloss

120 lb. C2S 10% ♻️ ▲

Dull

130 lb. C2S ▲

80 lb. Fiber

White 30% ♻️ ▲	Natural 30% ♻️ ▲	Cream 30% ♻️ ▲	Gray 30% ♻️ ▲	Ice Blue 30% ♻️ ▲	Thyme 30% ♻️ ▲	Periwinkle 30% ♻️ ▲

100 lb. Hemp

Starch White 30% ♻️ ▲

80 lb. Felt

Bright White 30% ♻️ ▲	Warm white 30% ♻️ ▲	Pumice 50% ♻️ ▲	Forest Green 30% ♻️ ▲	New Black 30% ♻️ ▲	Granite 50% ♻️ ▲	18 PT 100% ♻️

Eco Kraft

• Sheets can vary in color.
• Not available on all items.

100 lb. Smooth

White ▲

80 lb. Smooth

Eco White 100% ♻️ ▲	Sandstone 50% ♻️ ▲

80 lb. Vellum

Vanilla ▲	Jute 50% ♻️ ▲	Yellow 30% ♻️ ▲

100 lb. Linen

White 30% ♻️ ▲	Natural 30% ♻️ ▲	Sterling Gray 30% ♻️ ▲	Burgundy 30% ♻️ ▲	Melot 30% ♻️ ▲	Dark Blue 30% ♻️ ▲	Deep Black 30% ♻️ ▲	Deep Pine 30% ♻️ ▲	Mahogany ▲	Eggplant 30% ♻️ ▲	

90 lb. Cordwain

White 30% ♻️ ▲	Deep Blue 30% ♻️ ▲

90 lb. Hopsack

White 30% ♻️ ▲	Forest Green 30% ♻️ ▲	Red ▲	Deep Blue 30% ♻️ ▲

80 lb. Tweed

Royal Blue 30% ♻️ ▲

80 lb. Grandee

Charcoal ▲	Blazer Blue ▲

100 lb. Wove

Smoke Gray 30% ♻️ ▲

14 PT C1S MarbleCoat

Ash	Burgundy	Black	Blue

14 PT C1S ColorCoat

Navy	Black

120 lb. Duplex Linen

Blue / White ▲	

• Not available on all items.

POP-TONE PAPERS FROM FRENCH PAPER Co.

Lemon Drop	Blu Raspberry	Berrylicious	Pink Lemonade	Razzle Berry	Wild Cherry	Tangy Orange	Grape Jelly	Gumdrop Green	Jellybean Green	Hot Fudge	Black Licorice	

FOIL COLORS (CLEAR FOIL IS ALSO AVAILABLE.)

Metallic Foil Colors

Silver	Platinum	Pewter	Gold	Brass	Treasure	Copper	Gun Metal	Apple	Cranberry	Blue	Sapphire	Teal	Green	Lime

Non-Metallic Foil Colors Non-Metallic colors will look different when used on dark stocks.

White	Blue	Pine	Red	Burgundy	Black

How to Submit Artwork

There are a few ways of submitting your artwork to us.

1. **If you have artwork**, please send an eps file to aslegal@aslegal.com and reference your account number, presentation folder and your order number (if you have it).
2. **If you do not have artwork**, our team of designers can help you create artwork at a reasonable fee. Please contact prodteam@aslegal.com with questions.

Special typefaces, logos, photographs and other artwork can be produced in most production processes. However, very thin typestyles are not recommended. Please call 800.222.0510 for help in determining the best production process for your imprint.

How to Place your order

Remember to provide the following:

1. Presentation Folder stock number (if available)
2. Quantity
3. Personalization copy/artwork
4. Personalization process & color
5. Personalization location on folder
6. Email address and individual to contact for proof approval

A proof approval request will be sent to you within 3 business days of receipt of order and artwork.

Customized Presentation Folders will be shipped within 2 – 4 weeks of proof approval.